

STK100-X TWEETER KIT

KIT CONTENTS

- 2 – STK100-X 1.5" 4 OHM TWEETER MODULES
- 2 – STR04-50 12DB CROSSOVERS
- 1 – HARDWARE KIT



INSTALLATION INSTRUCTIONS

1. COVER YOUR FRONT FENDER!
2. WITH THE IGNITION SWITCH OFF, REMOVE THE FRONT FAIRING COVER, NOTING WHICH HOLE EACH SCREW IS REMOVED FROM.
 - TIP:** REFER TO MANUFACTURER INSTRUCTIONS IF NECESSARY.
3. USING TEMPLATES INCLUDED IN PARTS KIT, PLACE THEM ON THE INSIDE OF YOUR INNER FAIRING (FIGURE 1), CAREFULLY AND ACCURATELY MARK HOLES USING AN AWL OR CENTER PUNCH. THE TEMPLATES ARE SYMMETRICAL AND ARE USED FOR BOTH SIDES. FLIP THEM OVER FOR USE ON OPPOSITE SIDE.
 - TIP:** MAKE SURE TEMPLATES ARE REGISTERED AND FIRMLY HELD IN POSITION WHILE MARKING. OBSERVE THE TWO MOST CRITICAL PLACES FOR PROPER FITMENT.

4. USING A 1/16" PILOT BIT, DRILL FOUR HOLES WHERE MARKS WERE MADE. TWO FOR THE MOUNTING HARDWARE AND TWO FOR WIRE ROUTING.
5. NOW USING A 1/4" BIT, RE-DRILL ALL FOUR HOLES.
6. FEED TWEETER WIRE THROUGH LOWER HOLE. WHILE HOLDING TWEETER MODULE IN PLACE, START THREADING THE SUPPLIED #6 SCREW WITH WASHER FROM THE INSIDE OF THE FAIRING INTO THE BOSS ON THE BACK OF THE MODULE. ONCE THE SCREW IS STARTED, LINE UP TWEETER MODULE AND GASKET WITH THE CONTOURS OF THE FAIRING. CONTINUE TO TIGHTEN SCREW UNTIL MODULE IS SECURED. DO NOT OVER TIGHTEN. IF PLASTIC HOUSING AND GASKET MISALIGN, LOOSEN SCREW, REALIGN, AND RE-TIGHTEN.

TIP: MOUNTING SCREW SHOULD ONLY BE HAND TIGHT WITH STANDARD SCREW DRIVERS.

7. MOUNT CROSSOVER WITH SUPPLIED HOOK AND LOOP ADHESIVE IN SUITABLE LOCATION SUCH THAT INPUT AND OUTPUT WIRES WILL REACH TWEETER WIRES AND SPEAKER WIRES.
8. CONNECT TWEETER WIRES TO CROSSOVER.

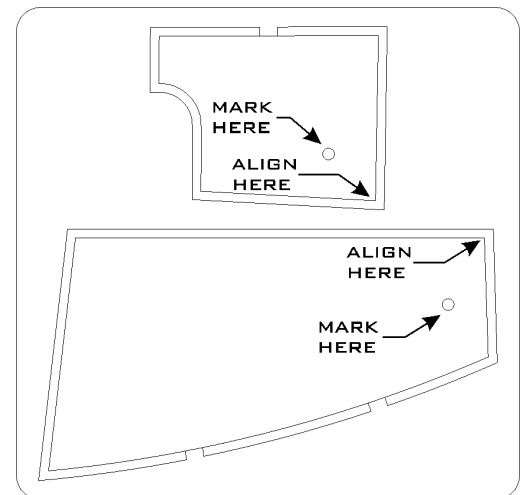


FIGURE 1

9. DISCONNECT SPEAKER WIRES FROM SPEAKER TERMINALS.

10. REFERRING TO FIGURE 2, CONNECT CROSSOVER WIRES TO SPEAKER TERMINALS (A).

TIP: IF SPEAKER WIRES WITH FACTORY CONNECTORS ARE NO LONGER AVAILABLE, (E.G. HAVE BEEN CUT) SPLICE WIRES INTO SOUND SYSTEM OUTPUT.

11. PLUG THE DISCONNECTED SPEAKER WIRES INTO THE INPUT PLUGS (B)

12. PERFORM A SYSTEM AUDIO TEST. TURN THE KEY TO THE ACCESSORY POSITION AND VERIFY THAT ALL COMPONENTS FUNCTION PROPERLY.

13. RE-INSTALL THE FAIRING COVER.

TIP: REFER TO MANUFACTURER INSTRUCTIONS IF NECESSARY.

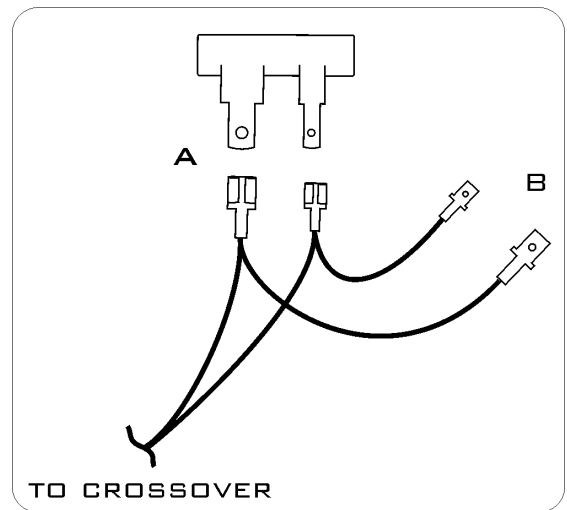


FIGURE 2

STK100 SPEAKER WIRES		CONNECT TO AMPLIFIER(S)
MATCH TERMINAL SIZE TO SPEAKER		
LEFT +	RED	LEFT +
LEFT -	BLK	LEFT -
RIGHT +	RED	RIGHT +
RIGHT -	BLK	RIGHT -

WARRANTY INFORMATION

HAWG WIRED OFFERS A LIMITED WARRANTY OF OUR PRODUCTS ON THE FOLLOWING TERMS:

• **LENGTH OF WARRANTY**

1 YEAR ON AUDIO SYSTEMS, ELECTRONICS, SPEAKERS, AND ACCESSORIES (RECEIPT REQUIRED).

• **COVERAGE**

THIS WARRANTY COVERS ONLY THE ORIGINAL PURCHASER OF A HAWG WIRED PRODUCT PURCHASED FROM AN AUTHORIZED HAWG WIRED DEALER IN THE UNITED STATES. IN ORDER TO RECEIVE SERVICE, THE PURCHASER MUST PROVIDE HAWG WIRED WITH A COPY OF THE RECEIPT STATING THE CUSTOMER NAME, DEALER NAME, PRODUCT PURCHASED AND DATE OF PURCHASE.

• **DEFECTIVE PRODUCTS**

PRODUCTS FOUND TO BE DEFECTIVE DURING THE WARRANTY PERIOD WILL BE REPAIRED OR REPLACED (WITH A PRODUCT DEEMED TO BE EQUIVALENT) AT HAWG WIRED'S DISCRETION.

• **WHAT IS NOT COVERED**

DAMAGE CAUSED BY ACCIDENT, ABUSE, IMPROPER OPERATIONS, WATER, THEFT
ANY COST OR EXPENSE RELATED TO THE REMOVAL OR REINSTALLATION OF PRODUCT
SERVICE PERFORMED BY ANYONE OTHER THAN AN AUTHORIZED HAWG WIRED SERVICE CENTER
ANY PRODUCT WITH THE SERIAL NUMBER OR TAMPER LABELS DEFACED, ALTERED, OR REMOVED
SUBSEQUENT DAMAGE TO OTHER COMPONENTS
ANY PRODUCT PURCHASED OUTSIDE THE U.S.
ANY PRODUCT NOT PURCHASED FROM AN AUTHORIZED HAWG WIRED DEALER

• **LIMIT ON IMPLIED WARRANTIES**

ANY IMPLIED WARRANTIES INCLUDING WARRANTIES OF FITNESS FOR USE AND MERCHANTABILITY ARE LIMITED IN DURATION TO THE PERIOD OF THE EXPRESS WARRANTY SET FORTH ABOVE. SOME STATES DO NOT ALLOW LIMITATIONS ON THE LENGTH OF AN IMPLIED WARRANTY, SO THIS LIMITATION MAY NOT APPLY. NO PERSON IS AUTHORIZED TO ASSUME FOR HAWG WIRED ANY OTHER LIABILITY IN CONNECTION WITH THE SALE OF THE PRODUCT.

• **HOW TO OBTAIN SERVICE**

PLEASE CALL 510.894.2999 FOR HAWG WIRED CUSTOMER SERVICE. YOU MUST OBTAIN A RETURN MATERIAL AUTHORIZATION NUMBER (RMA) TO RETURN ANY PRODUCT TO HAWG WIRED. YOU ARE RESPONSIBLE FOR SHIPPING CHARGES OF RETURNED PRODUCTS TO HAWG WIRED.

• **MADE IN THE USA**

OUR PRODUCTS ARE PROUDLY DESIGNED, DEVELOPED AND BUILT IN THE USA*. THE MAJORITY OF THE COMPONENTS USED IN THE CONSTRUCTION OF OUR PRODUCTS ARE PRODUCED BY AMERICAN COMPANIES. HOWEVER, DUE TO THE GLOBAL NATURE OF MODERN MANUFACTURING AND THE ELECTRONICS INDUSTRY IN GENERAL, SOME PARTS MAY BE MANUFACTURED IN OTHER COUNTRIES.

*OUR SPEAKERS ARE PROUDLY DESIGNED AND DEVELOPED IN THE USA. HOWEVER, DUE TO THE GLOBAL NATURE OF LOUDSPEAKER MANUFACTURING, OUR SPEAKERS ARE MANUFACTURED IN OTHER COUNTRIES.

HAWG WIRED, INC.

CONTACT US BY EMAIL

GENERAL INFORMATION – info@hawg-wired.com
SALES AND MARKETING – sales@hawg-wired.com
TECHNICAL SUPPORT – tech@hawg-wired.com

CONTACT US BY PHONE

MAIN 510.894.2999
EFAX 510.217.6994

VISIT US ON THE WEB AT HAWG-WIRED.COM



COPYRIGHT © 2010 HAWG WIRED, INC. ALL RIGHTS RESERVED.
REV.1B PRINTED IN THE U.S.A.